

# **NOVA EXTREME™**

## High Output T5 Lighting Systems

Instructions for Nova Extreme™ 2 Lamp Models  
#1124, 1125, 1126, 1127,  
1128, 1129, 1136, 1137, 1138

Instructions for Nova Extreme 4 Lamp Models  
#1120, 1121, 1122

Important Safety Instructions ..... Page 2  
Instructions ..... Page 5  
Timer Guidelines for 4 Lamp Models ..... Page 5  
Maintenance & Care ..... Page 6  
Warranty ..... Page 6



**CURRENT**

WHAT'S NEXT

EMAIL: [INFO@CURRENT-USA.COM](mailto:INFO@CURRENT-USA.COM)

[WWW.CURRENT-USA.COM](http://WWW.CURRENT-USA.COM)

04-2008-JEE

# SAFETY INSTRUCTIONS

## WARNING

To guard against injury, basic safety precautions should be observed, including the following:

## READ AND FOLLOW ALL SAFETY INSTRUCTIONS

## DANGER

To avoid possible electric shock, special care should be taken since water is employed in the use of aquarium equipment. For each of the following situations, do not attempt repairs by yourself; return the appliance to an authorized service facility for service or discard the appliance:

1. If electrical components of the fixture get wet, unplug the appliance immediately.
2. Carefully examine the fixture after installation. It should not be plugged in if there is water on parts not intended to be wet.
3. Do not operate fixture if it has a damaged cord or plug, or if it is malfunctioning or damaged in any manner. See the drip loop instructions on the next page for proper power cord installation.
4. If the plug or receptacle does get wet, DON'T unplug the cord. Disconnect the fuse or circuit breaker that supplies power to the fixture. Then, unplug and examine for presence of water in the receptacle.
5. Close supervision is necessary when any appliance is used by or near children.
6. To avoid injury, do not contact hot parts such as lamps and the like.
7. Always unplug the fixture from an outlet when not in use, before putting on or taking off parts, and before cleaning. Never yank cord to pull plug from outlet. Grasp the plug and pull to disconnect.
8. Do not use the fixture for other than intended use. The use of attachments not recommended or sold by the fixture manufacturer may cause an unsafe condition.
9. Do not install or store the fixture where it will be exposed to the weather or to temperatures below freezing.
10. Make sure the fixture is securely installed before operating it.
11. Read and observe all the important notices on the fixture.
12. If an extension cord is necessary, a cord with a proper rating should be used. A cord rated for less Amperes or watts than the fixture rating may overheat. Care should be taken to arrange the cord so that it will not be tripped over or pulled.

## SAVE THESE INSTRUCTIONS



**CURRENT**

WHAT'S NEXT

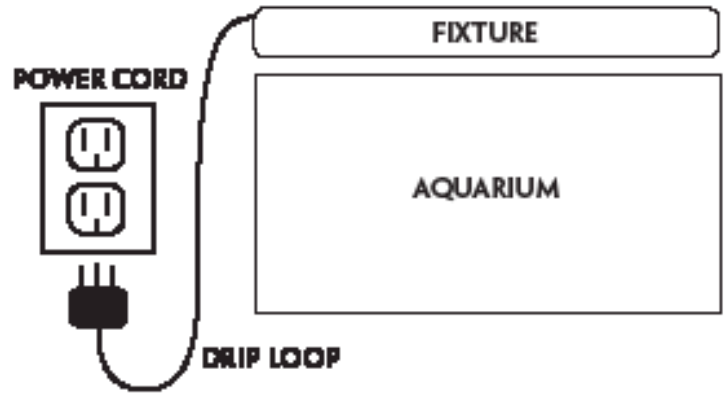
# SAFETY INSTRUCTIONS

## IMPORTANT SAFETY INSTRUCTIONS

### WARNING

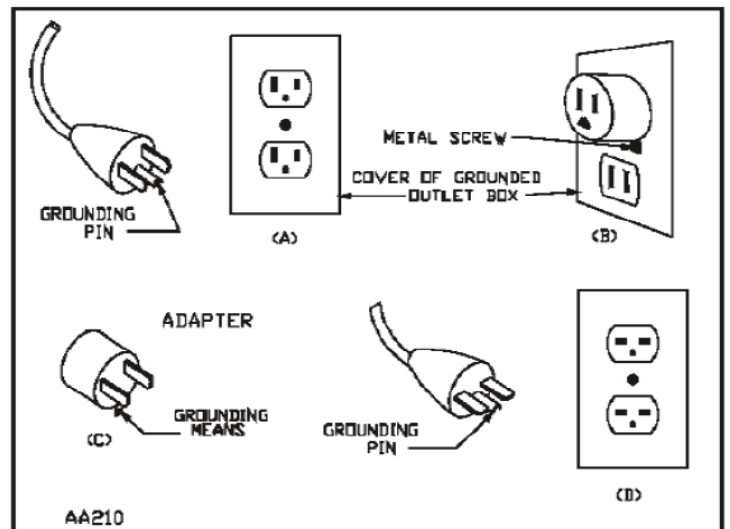
To guard against injury, basic safety precautions should be observed, including the following on drip loops:

To avoid the possibility of the appliance plug or receptacle getting wet, position aquarium stand and tank to one side of a wall-mounted receptacle to prevent water from dripping onto the receptacle or plug. A “drip loop,” shown in the figure below, should be arranged by the user for each cord connecting an aquarium appliance to a receptacle. The “drip loop” is that part of the cord below the level of the receptacle, or the connector if an extension cord is used, to prevent water traveling along the cord and coming in contact with the receptacle. If the plug or receptacle does get wet, DON'T unplug the cord. Disconnect the fuse or circuit breaker that supplies power to the appliance. Then, unplug and examine for presence of water in the receptacle.



## GROUNDING INSTRUCTIONS

This appliance should be grounded to minimize the possibility of electric shock. This appliance is equipped with an electric cord having an equipment grounding conductor and a grounding type plug. The plug must be plugged into an outlet that is installed and grounded in accordance with all appropriate codes and ordinances. This appliance is for use on a nominal 120-volt circuit, and has a grounding plug that looks like the plug illustrated in (A) to the right. A temporary adapter which looks like the adapter illustrated in (B) and (C) below may be used to connect this plug to a two-pole receptacle as shown in (B) if a grounded outlet is not available. The temporary adapter should be used only until a grounded outlet can be installed by a qualified electrician. The green-colored rigid ear (lug, and the like) extending from the adapter must be fastened to a permanent ground such as a grounded outlet box.



SAVE THESE INSTRUCTIONS

# INSTALLATION INSTRUCTIONS

## CONGRATULATIONS ON PURCHASING YOUR NEW NOVA EXTREME T5HO LIGHTING SYSTEM

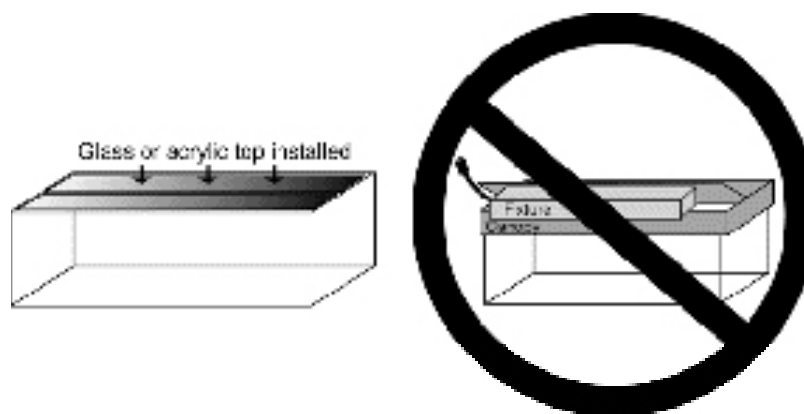
Please carefully read all instructions and warnings below and enjoy your new lighting system.

In order to validate your warranty, please fill out the enclosed registration card or go online to our website <http://www.current-usa.com> to register your product electronically.

**NOTE: READ ALL INSTRUCTIONS AND WARNINGS LISTED WITHIN THIS MANUAL.  
PLEASE ALSO READ ALL WARNINGS AFFIXED TO THE FIXTURE.**

## INSTRUCTIONS

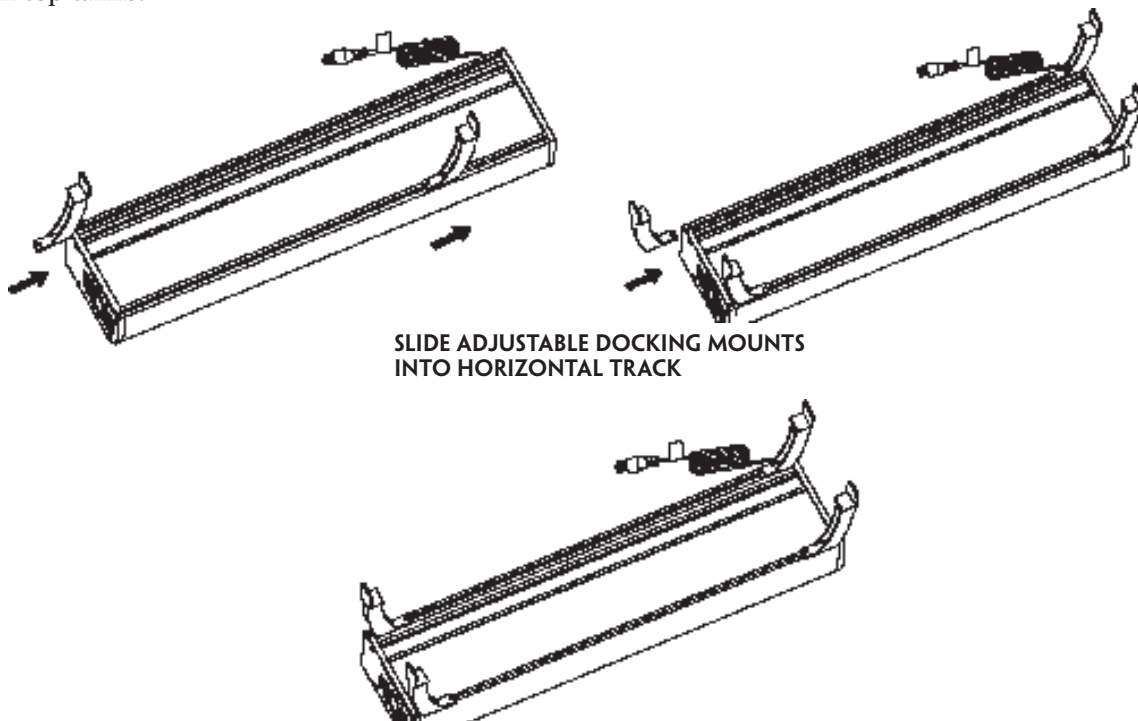
- Carefully remove the lighting fixture from packaging.
- Remove acrylic splash lens and remove plastic lens protector and packaging material around the lamps.
- Make sure lamps are firmly inserted into sockets. Replace acrylic splash lens.
- Plug the power cords into GFCI outlets.
- If you wish to use automatic light features, plug the power cords into timers before plugging into the GFCI outlet.
- **DO NOT** place fixture underneath a canopy or hood. This light fixture is designed to be placed above an aquarium. It is not intended to be placed under a canopy. The light fixture is to be used over completely covered aquariums only.



# INSTALLATION INSTRUCTIONS

## INSTRUCTIONS

1. Carefully unpack the fixture and remove all of the packing material. Slide open the acrylic splash lens to remove any packing material used in order to secure the lamps during transportation. Once you have removed the packing material make sure the lamps are securely in their sockets. Slide the acrylic splash lens back into place after you have finished.
2. First test the fixture before installing on your aquarium. Plug the power cord into a GFCI protected outlet. Turn the switch on the side of the fixture, two lamps at a time should come on with the switch.
3. Once you have tested the lamps and ensured proper operation you may slide the adjustable docking mounts to fit over the outer edge and frame of the aquarium. Use the supplied screws to secure docking mounts in place. Ensure that fixture is placed on a tank with a glass lens as it is NOT DESIGNED for open top tanks.



5. You may now place the light fixture above your aquarium and begin enjoying your new light fixture.

## TIMER GUIDELINES FOR 4 LAMP NOVA EXTREMES

If you wish to automate the lighting cycles you may use a rotary timer for each power cord. Set the timers so the 460nm Actinics turn on first followed by the 10,000K Daylights one hour later. Reverse the process approximately 9-10 hours later. This should give the optimum lighting time. Check with your dealer to see if your particular animals require more or less light and adjust accordingly.



**CURRENT**

WHAT'S NEXT

# CARE & WARRANTY

## REGULAR MAINTENANCE

1. Proper care for your Nova Extreme Light Fixture will ensure years of excellent performance.
2. Do not attempt to do any maintenance while the light fixture is turned on. Unplug the fixture and remove from operation before performing maintenance.
3. Inspect the fixtures exterior and interior (lamp area) once per month for any visible signs of salt build up. Remove any salt build up with a damp cloth. If there is any signs of corrosion on the electrical components including the power cords, it must be removed from service and repaired or replaced before operating again.
4. Inspect the fan and ensure that it freely spins. If dust has accumulated on the blades, use a damp cloth to remove the dust.
5. Once you have completed the maintenance and verified there are no damaged or malfunctioning parts you may place the fixture back in service.

## CURRENT USA, INC. ONE-YEAR LIMITED WARRANTY

Current USA, Inc. warrants this product against defects in materials and workmanship for a period of ONE (1) YEAR from the date of original retail purchase. Light Bulbs carry a 3 month warranty.

Warranty on all Products, including Aquariums, is limited to replacement of the product and does not cover fish loss, personal injury, property loss or direct, incidental or consequential damage arising to the use of this product.

Note: Current-USA, Inc. One-Year Limited Warranty does not cover damage caused by the following: freezing of the evaporator, improper installation, saltwater corrosion, electrical surges, or thermostat failure or modifications.

If you discover a defect, Current USA, Inc. will, at its option, repair or replace the product at no charge to you, provided you return it during the warranty period. It is required that you present this warranty card and a copy of the bill of sale as proof of original purchase date, in the event the product needs repairs, within the warranty period. Please see your dealer for return options. This warranty applies only to products by or for Current USA, Inc. that can be identified by trade name, or logo affixed to them. Current-USA, Inc. does not warrant any products that are not Current-USA, Inc. products. This warranty does not apply if the product has been damaged by accident, abuse, misuse or misapplication or if the product has been modified without the written permission of Current-USA, Inc.; or if any Current-USA, Inc. logos have been removed or defaced.

THE WARRANTY AND REMEDIES SET FORTH ABOVE ARE EXCLUSIVE AND IN LIEU OF ALL OTHERS, WHETHER ORAL OR WRITTEN, EXPRESS OR IMPLIED. Current USA, Inc. SPECIFICALLY DISCLAIMS ANY AND ALL IMPLIED WARRANTIES, INCLUDING BUT NOT LIMITED TO LOST PROFITS, DOWNTIME, GOODWILL, DAMAGE TO OR REPLACEMENT OF EQUIPMENT AND PROPERTY, AND ANY COSTS OF RECOVERING ANIMALS, PLANTS, TANKS OR OTHER AQUARIUM RELATED ITEMS AND/OR EQUIPMENT. Current USA, Inc. IS NOT RESPONSIBLE FOR SPECIAL, INCIDENTAL, OR CONSEQUENTIAL DAMAGES RESULTING FROM ANY BREACH OF WARRANTY, OR REPLACEMENT OF EQUIPMENT OR PROPERTY, OR ANY COSTS OF RECOVERING OR REPRODUCING ANY EQUIPMENT, ANIMALS OR PLANTS USED OR GROWN WITH Current USA, Inc. PRODUCTS.

Some jurisdictions do not allow the exclusion or limitation of incidental or consequential damages or exclusions of implied warranties, so the above limitations or exclusions may not apply to you. This warranty gives you specific legal rights, and you may also have other rights that vary form jurisdiction to jurisdiction.