

SUNDIAL T5HO™

High Output T5 Light Fixture

Instructions for Model#1150, 1151, 1152, 1153

Important Safety Instructions	Page 2
Installation Instructions	Page 4
Warranty	Page 8



CURRENT

WHAT'S NEXT

EMAIL: INFO@CURRENT-USA.COM

WWW.CURRENT-USA.COM

05-2006-JEE

SAFETY INSTRUCTIONS

WARNING

To guard against injury, basic safety precautions should be observed, including the following:

READ AND FOLLOW ALL SAFETY INSTRUCTIONS

DANGER

To avoid possible electric shock, special care should be taken since water is employed in the use of aquarium equipment. For each of the following situations, do not attempt repairs by yourself; return the appliance to an authorized service facility for service or discard the appliance:

1. If electrical components of the fixture get wet, unplug the appliance immediately.
2. Carefully examine the fixture after installation. It should not be plugged in if there is water on parts not intended to be wet.
3. Do not operate fixture if it has a damaged cord or plug, or if it is malfunctioning or damaged in any manner. See the drip loop instructions on the next page for proper power cord installation.
4. If the plug or receptacle does get wet, DON'T unplug the cord. Disconnect the fuse or circuit breaker that supplies power to the fixture. Then, unplug and examine for presence of water in the receptacle.
5. Close supervision is necessary when any appliance is used by or near children.
6. To avoid injury, do not contact hot parts such as lamps and the like.
7. Always unplug the fixture from an outlet when not in use, before putting on or taking off parts, and before cleaning. Never yank cord to pull plug from outlet. Grasp the plug and pull to disconnect.
8. Do not use the fixture for other than intended use. The use of attachments not recommended or sold by the fixture manufacturer may cause an unsafe condition.
9. Do not install or store the fixture where it will be exposed to the weather or to temperatures below freezing.
10. Make sure the fixture is securely installed before operating it.
11. Read and observe all the important notices on the fixture.
12. If an extension cord is necessary, a cord with a proper rating should be used. A cord rated for less Amperes or watts than the fixture rating may overheat. Care should be taken to arrange the cord so that it will not be tripped over or pulled.

SAVE THESE INSTRUCTIONS

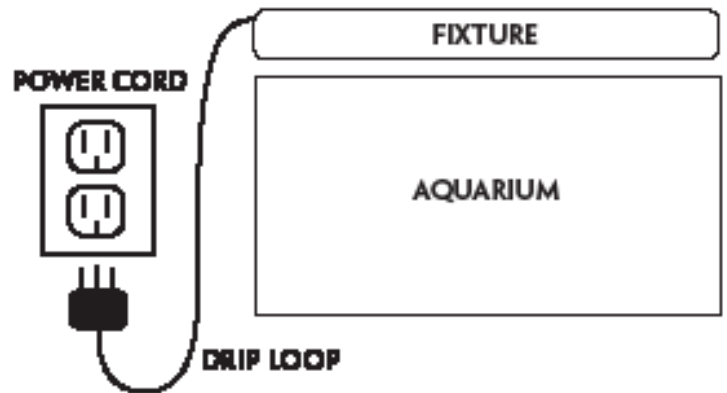
SAFETY INSTRUCTIONS

IMPORTANT SAFETY INSTRUCTIONS

WARNING

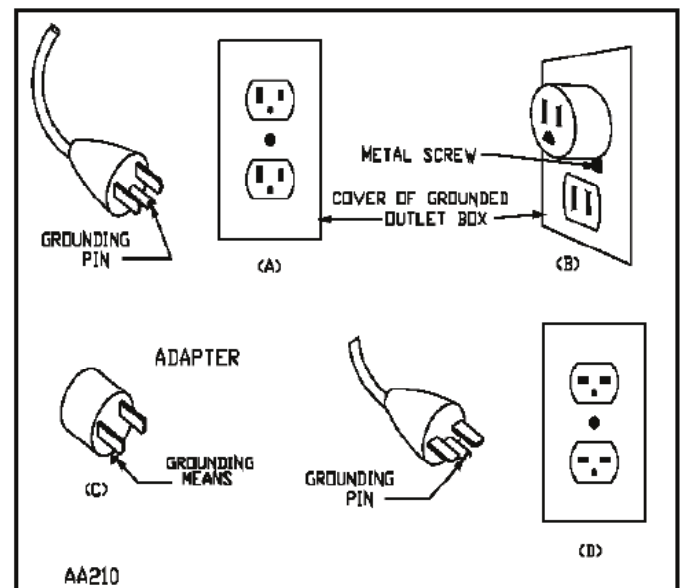
To guard against injury, basic safety precautions should be observed, including the following on drip loops:

To avoid the possibility of the appliance plug or receptacle getting wet, position aquarium stand and tank to one side of a wall-mounted receptacle to prevent water from dripping onto the receptacle or plug. A “drip loop,” shown in the figure below, should be arranged by the user for each cord connecting an aquarium appliance to a receptacle. The “drip loop” is that part of the cord below the level of the receptacle, or the connector if an extension cord is used, to prevent water traveling along the cord and coming in contact with the receptacle. If the plug or receptacle does get wet, DON'T unplug the cord. Disconnect the fuse or circuit breaker that supplies power to the appliance. Then, unplug and examine for presence of water in the receptacle.



GROUNDING INSTRUCTIONS

This appliance should be grounded to minimize the possibility of electric shock. This appliance is equipped with an electric cord having an equipment grounding conductor and a grounding type plug. The plug must be plugged into an outlet that is installed and grounded in accordance with all appropriate codes and ordinances. This appliance is for use on a nominal 120-volt circuit, and has a grounding plug that looks like the plug illustrated in (A) to the right. A temporary adapter which looks like the adapter illustrated in (B) and (C) below may be used to connect this plug to a two-pole receptacle as shown in (B) if a grounded outlet is not available. The temporary adapter should be used only until a grounded outlet can be installed by a qualified electrician. The green-colored rigid ear (lug, and the like) extending from the adapter must be fastened to a permanent ground such as a grounded outlet box.



SAVE THESE INSTRUCTIONS

INSTALLATION INSTRUCTIONS

CONGRATULATIONS ON PURCHASING YOUR NEW SUNDIAL T5HO LIGHTING PENDANT

Congratulations on purchasing your new SunDial High Output T-5 lighting system. The SunDial is the most versatile high output aquarium lighting ever produced. With proper setup and care this lighting system will provide years of service with outstanding performance and results.

Please carefully read all instructions and warnings below to safely enjoy your new lighting system. In order to validate your warranty, please fill out the enclosed registration card or go online to our website <http://www.current-usa.com>.

The SunDial High Output T-5 lighting system is designed to be used as a stand alone fixture placed over an aquarium, or it can be installed under a canopy with an open back for ventilation.

The SunDial High Output T-5 lighting system must be used over a completely covered aquarium-direct water contact, moisture and salt creep from evaporation can cause damage to electrical components, bulbs and end caps.

All electrical connections must be kept away from moisture, and a GFCI protected outlet must be used when installing this fixture.

NOTE: READ ALL INSTRUCTIONS AND WARNINGS LISTED WITHIN THIS MANUAL. PLEASE ALSO READ AND FOLLOW ALL WARNINGS AFFIXED TO THE LIGHTING SYSTEM'S COMPONENTS.

MOUNTING INSTRUCTIONSThe SunDial High Output T-5 lighting system comes with mounts and hardware for placing the SunDial on the rim of the aquarium, or for placing the SunDial under a canopy. Please follow the instructions for your desired installation type carefully to avoid damage to the unit.

Before beginning installation, carefully remove the lighting system and components from its packaging and inspect the unit for damaged. If any damage is found, please contact your dealer immediately.

Mounting Instructions for SunDial resting on the rim of the aquarium

1. Set fixture on a clean, flat surface with the polycarbonate splash lens facing up. Remove the splash lens by sliding it out one end of the fixture. This end of the fixture will be where the Docking Mounts will insert.
2. Remove the plastic sleeves from the T-5 lamps and re-install the lamps carefully into the sockets.

INSTALLATION INSTRUCTIONS

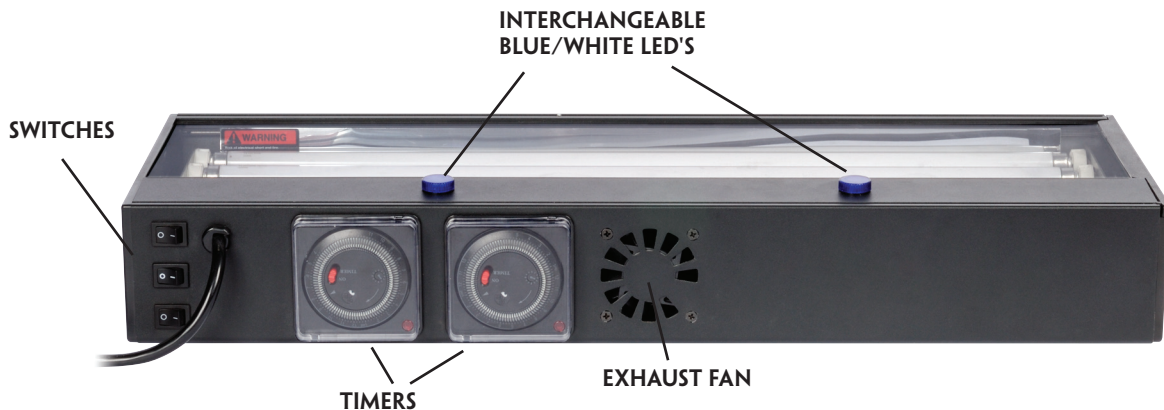
MOUNTING INSTRUCTIONS

3. With the splash lens still removed, insert the first Docking Mount into the tracks along the edges of the fixture and slide down toward the opposite end of the fixture.
4. Insert the second Docking Mount (as shown) into the tracks. Replace the polycarbonate splash lens.



SUNDIAL T5HO WITH DOCKING MOUNTS INSTALLED

5. Before setting the timers and placing the SunDial over the aquarium, it's recommend that you test the fixture to makes sure the components are operating correctly. With the SunDial still laying with the lens side up, plug the fixture into a 110/120v receptacle and flip on all three power switches (1 switch for Daylight T-5's, 1 for Actinic T-5's, and 1 for Lunar Lights) which are located on the back side of the fixture next to the timers. The timers may need to be rotated or turned on manually for the lights to become operational. The Lunar Lights will not be viewable until the room is dark or if the photo-cell (located on the reflector surface under 1 T-5 lamp) is blocked. Ensure that the fan is working-the fan should be activated with the same switch as the Actinic T-5 lamps so it remains on the longest (during a dawn/dusk routing the actinic lamps come on first and go off last).



INSTALLATION INSTRUCTIONS

6. Before placing the SunDial lighting system on the aquarium it is recommended that you set up the timers for the lighting, since the timers are easiest to access at this point (see timer instructions below). At this point it is best to decide if you want the Lunar Lights to be white or blue. Each Lunar Light has a blue lens cover that can be removed, making the Lunar Light white. If not being used, keep the blue lens covers in a safe location if needed for future use.

TIMER SET-UP INSTRUCTIONS

The Sundial T5HO features internal electronic ballasts for both the SlimPaq 460nm Actinic lamps and 10K Daylight lamps. This allows the use of integrated timers on the fixture. Please follow the following steps for programming the timers:

- A. Set the current time - Turn the rotary disc till the "Arrow" points to the current time.
 - B. Set the "Turn On" time:
 - A. There are 96 push down plastic slices (gray color) on the rotary disc. Each slice or tab stands for 15 minutes.
 - B. If the desired Turn On time is for 8 hours (480 minutes), 32 tabs would have to be depressed between the desired time increments.
 - C. Depress tabs and set the On time.
 - C. Plug the fixture into the power outlet and activate timers by sliding switch on the timer to the "ON" position.
7. Unplug the fixture and place it on the aquarium so that the Docking Mounts sit on the rim. The Docking Mounts can be adjusted by sliding them in their tracks to perfectly accommodate the length of the aquarium. The power cord should be routed to the GFCI protected outlet and a drip loop used to prevent moisture from entering the outlet (see diagram).
8. Plug in the power cord and make sure the timers are set to the correct time. Your SunDial High Output T-5 lighting system is now ready for use.

MOUNTING INSTRUCTIONS FOR PLACING THE SUNDIAL UNDER A CANOPY (GLASS OR ACRYLIC TOP REQUIRED FOR AQUARIUM AND CANOPY MUST HAVE AN OPEN BACK FOR WARM AIR FLOW)

1. Set fixture on a clean, flat surface with the polycarbonate splash lens facing up. Remove the splash lens by sliding it out one end of the fixture. This end of the fixture will be where the Air Gap mounts will insert.
2. Remove the plastic sleeves from the T-5 lamps and re-install the lamps carefully into the sockets.

INSTALLATION INSTRUCTIONS

3. With the splash lens still removed, insert the four Air Gap mounts (as shown) into the tracks along the edges of the fixture and position them so that each mount is located at the four corners of the fixture. Replace the polycarbonate splash lens.

AIR GAP MOUNT
INSTALLED INTO TRACK



4. Before setting the timers and placing the SunDial over the aquarium, it's recommended that you test the fixture to make sure the components are operating correctly. With the SunDial still laying with the lens side up, plug the fixture into a 110/120v receptacle and flip on all three power switches (1 switch for Daylight T-5's, 1 for Actinic T-5's, and 1 for Lunar Lights) which are located on the back side of the fixture next to the timers. The timers may need to be rotated or turned on manually for the lights to become operational. The Lunar Lights will not be viewable until the room is dark or if the photo-cell (located on the reflector surface under 1 T-5 lamp) is blocked. Ensure that the fan is working-the fan should be activated with the same switch as the Actinic T-5 lamps so it remains on the longest (during a dawn/dusk routine the actinic lamps come on first and go off last).

5. Before placing the SunDial lighting system on the aquarium it is recommended that you set up the timers for the lighting, since the timers are easiest to access at this point (see 24 Hour Programmable Timer instructions page 6). At this point it is best to decide if you want the Lunar Lights to be white or blue. Each Lunar Light has a blue lens cover that can be removed, making the Lunar Light white. If not being used, keep the blue lens covers in a safe location if needed for future use.

6. Unplug the fixture and place it on the aquarium so that the Air Gap Mounts sit on the glass or acrylic top of the aquarium. The Mounts can be adjusted by sliding them in their tracks to perfectly accommodate the length of the aquarium. The power cord should be routed through the opening in the back of the canopy to the GFCI protected outlet and a drip loop used to prevent moisture from entering the outlet (see page 3).

7. Plug in the power cord and make sure the timers are set to the correct time. Your SunDial High Output T-5 lighting system is now ready for use.

WARRANTY

CURRENT USA, INC. ONE-YEAR LIMITED WARRANTY

Current USA, Inc. warrants this product against defects in materials and workmanship for a period of ONE (1) YEAR from the date of original retail purchase. Light Bulbs carry a 3 month warranty.

Warranty on all Products, including Aquariums, is limited to replacement of the product and does not cover fish loss, personal injury, property loss or direct, incidental or consequential damage arising to the use of this product. Warranty on all Products, including Aquariums, is limited to replacement of the product and does not cover fish loss, personal injury, property loss or direct, incidental or consequential damage arising to the use of this product.

Note: Current-USA, Inc. One-Year Limited Warranty does not cover damage caused by the following: Improper installation, saltwater corrosion, and electrical surges.

If you discover a defect, Current USA, Inc. will, at its option, repair or replace the product at no charge to you, provided you return it during the warranty period. It is required that you present this warranty card and a copy of the bill of sale as proof of original purchase date, in the event the product needs repairs, within the warranty period. Please see your dealer for return options. This warranty applies only to products by or for Current USA, Inc. that can be identified by trade name, or logo affixed to them. Current-USA, Inc. does not warrant any products that are not Current-USA, Inc. products. This warranty does not apply if the product has been damaged by accident, abuse, misuse or misapplication or if the product has been modified without the written permission of Current-USA, Inc.; or if any Current-USA, Inc. logos have been removed or defaced.

THE WARRANTY AND REMEDIES SET FORTH ABOVE ARE EXCLUSIVE AND IN LIEU OF ALL OTHERS, WHETHER ORAL OR WRITTEN, EXPRESS OR IMPLIED. Current USA, Inc. SPECIFICALLY DISCLAIMS ANY AND ALL IMPLIED WARRANTIES, INCLUDING BUT NOT LIMITED TO LOST PROFITS, DOWNTIME, GOODWILL, DAMAGE TO OR REPLACEMENT OF EQUIPMENT AND PROPERTY, AND ANY COSTS OF RECOVERING ANIMALS, PLANTS, TANKS OR OTHER AQUARIUM RELATED ITEMS AND/OR EQUIPMENT. Current USA, Inc. IS NOT RESPONSIBLE FOR SPECIAL, INCIDENTAL, OR CONSEQUENTIAL DAMAGES RESULTING FROM ANY BREACH OF WARRANTY, OR REPLACEMENT OF EQUIPMENT OR PROPERTY, OR ANY COSTS OF RECOVERING OR REPRODUCING ANY EQUIPMENT, ANIMALS OR PLANTS USED OR GROWN WITH Current USA, Inc. PRODUCTS.

Some jurisdictions do not allow the exclusion or limitation of incidental or consequential damages or exclusions of implied warranties, so the above limitations or exclusions may not apply to you. This warranty gives you specific legal rights, and you may also have other rights that vary from jurisdiction to jurisdiction.