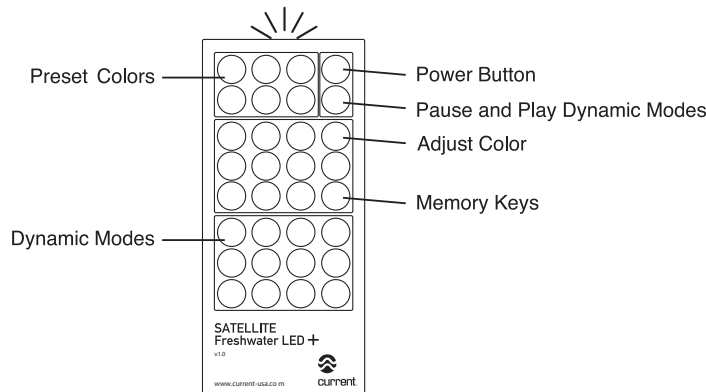


Remote Basics and creating custom colors

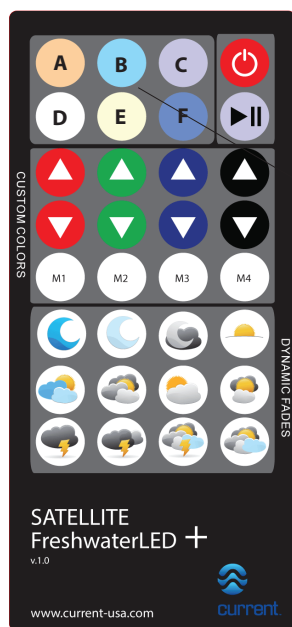
RGB remote control



How to create and save your own custom colors

- Choose a preset color.
- Use the Up/Down color arrows to adjust red, green, blue and white as desired.
- Hold down the M1, M2, M3 or M4 button until the
- Your custom color is now saved.

Color Spectrum Recommendations



Key Color

% Intensity

	Red	Green	Blue	White
A	100%	100%	0%	100%
B	0%	0%	100%	100%
C	100%	0%	100%	100%
D	0%	0%	0%	100%
E	100%	100%	100%	100%
F	0%	100%	100%	50%

Please note: The below recommendations are strictly recommendations. With the exception of planted aquariums, any color spectrum can be used safely and will not harm your fish or plants.

Tank Type/Theme	A	B	C	D	E	F
Community Fish	X	X	X	X	X	X
Heavily Planted					X	
SA Cichlids	X	X	X		X	X
African Cichlids	X				X	X
Betta Fish	X	X	X	X	X	X
Swords & Platies	X		X		X	X
Gourami's	X	X	X	X	X	X
Goldfish	X		X		X	X
Cherry Shrimp	X				X	X

General Color Guidelines:

If your fish have colors of:
 Red or orange
 Yellow
 Silver
 Blue
 Green

Enhance colors by adding:
 Red
 Red & Green
 White & Blue
 Blue
 Red & Green