

AQUAPOD STAND

Knockdown Aquarium Stand

Instructions for Model#7053

Safety & Assembly Instructions	Page 2
Assembly Instructions & Diagram	Page 3
Warranty	Page 5



CURRENT

WHAT'S NEXT

EMAIL: INFO@CURRENT-USA.COM

WWW.CURRENT-USA.COM

06-2005-JEE

ASSEMBLY INSTRUCTIONS

READ AND FOLLOW ALL SAFETY INSTRUCTIONS

SAFETY INSTRUCTIONS - DANGER

To avoid possible electric shock, special care should be taken since water is employed in the use of aquarium equipment. For each of the following situations, do not attempt repairs by yourself; return the appliance to an authorized service facility for service or discard the appliance:

1. If electrical components of the tank, stand or fixture get wet, unplug the appliance immediately.
2. Carefully examine the stand after installation. Components should not be plugged in if there is water on parts not intended to be wet.
3. Do not get stand wet. If stand is damaged or show signs of water damage, do not use.

ASSEMBLY INSTRUCTIONS

Unpack all components and inspect for damage. If any components are broken or have signs of water damage, do not use.

**** Important - Do not over tighten Cam Screws (A) or Cam Lock Nuts (B). For proper assembly, the Cam Screws should only be hand screwed into plastic inserts. Tighten only until 2 thread lines still show. Over tightening either screw or insets will not allow pieces to assemble correctly.**

1. Install back wall (A) into left side panel by inserting cam screws into left wall plastic inserts. Slide left wall screw inserts into back wall and connect using cam lock nuts. Gently tighten lock nuts by screwing clockwise - Do not overtighten.
2. Install door handle (E&F) into left side wall as shown in Figure 1. Please note that this side panel does not open, door handle is for viewing purposes only. Install shelf holders (D).
3. Install right side panel (B) to the back wall by inserting panel by inserting cam screws into right wall plastic inserts. Slide right wall cam screws into back wall and connect using cam lock nuts. Gently tighten cam lock nuts by screwing clockwise - Do not overtighten. Install shelf holders (D).
4. Insert cam screws into top. Note that the top will only have six (6) holes. Slide Top onto the 2 side walls and back. Connect using the cam lock nuts.
5. Install bottom six cam screws (C) into the bottom piece. Slide bottom cam screws into bottom of side walls and back, connect using cam lock nuts. Do not overtighten.
6. Place stand upright and install metal door brackets into the right side wall by attaching small mounting screws thru metal brackets into the predrilled holes on the side wall.

ASSEMBLY INSTRUCTIONS

7. Install door handle (E&F) into front door. Install and screw -in door mounts to door, then slide screw mounts onto metal door brackets located in the right side wall. Front door can now be adjusted using the screws on the metal door brackets.
8. Turn completed stand upside down and install bottom mounting feet (Parts G & H.)
9. Return stand to upright position. Ensure stand is on a level surface which is able to support a weight of 250 lbs.. Press on top of stand to ensure stand is solid and that all peices are tightened.



CURRENT

WHAT'S NEXT

ASSEMBLY

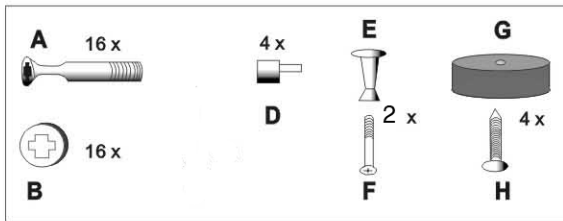
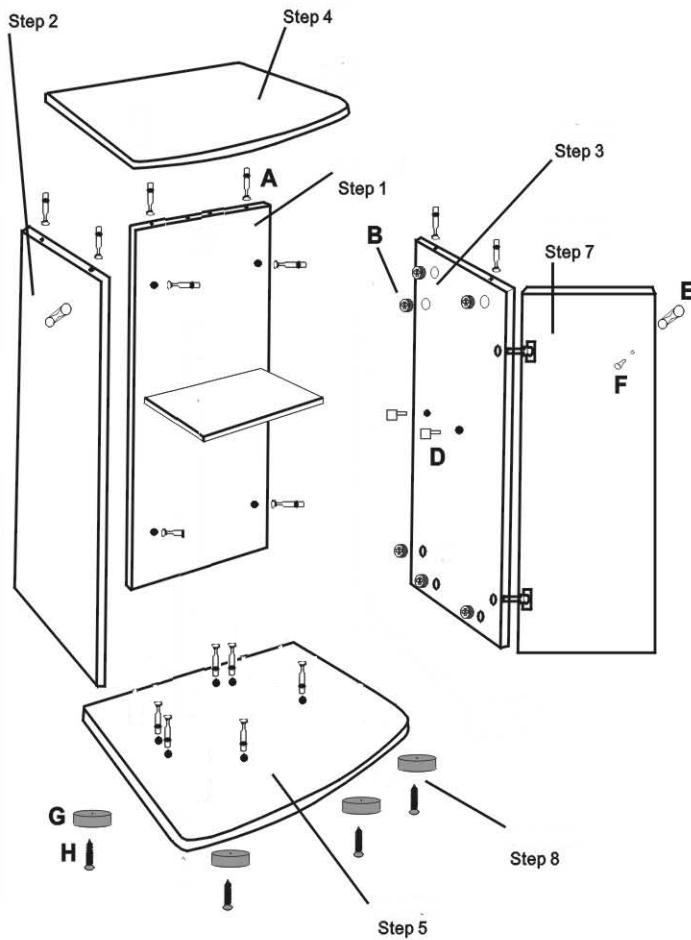
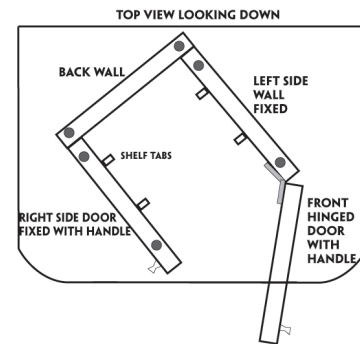


FIGURE 1



ASSEMBLED STAND



MAINTENANCE/WARRANTY

CURRENT USA, INC. LIMITED WARRANTY

Current USA, Inc. warrants this product against defects in materials and workmanship for a period of Six (6) Months Note: Current-USA, Inc. Six Month Limited Warranty does not cover damage caused by the following: Improper installation, saltwater corrosion, and electrical surges.

If you discover a defect, Current USA, Inc. will, at it's option, repair or replace the product at no charge to you, provided you return it during the warranty period. It is required that you present this warranty card and a copy of the bill of sale as proof of original purchase date, in the event the product needs repairs, within the warranty period. Please see your dealer for return options. This warranty applies only to products by or for Current USA, Inc. that can be identified by trade name, or logo affixed to them. Current-USA, Inc. does not warrant any products that are not Current-USA, Inc. products. This warranty does not apply if the product has been damaged by accident, abuse, misuse or misapplication or if the product has been modified without the written permission of Current-USA, Inc.; or if any Current-USA, Inc. logos have been removed or defaced.

THE WARRANTY AND REMEDIES SET FORTH ABOVE ARE EXCLUSIVE AND IN LIEU OF ALL OTHERS, WHETHER ORAL OR WRITTEN, EXPRESS OR IMPLIED. Current USA, Inc. SPECIFICALLY DISCLAIMS ANY AND ALL IMPLIED WARRANTIES, INCLUDING BUT NOT LIMITED TO LOST PROFITS, DOWNTIME, GOODWILL, DAMAGE TO OR REPLACEMENT OF EQUIPMENT AND PROPERTY, AND ANY COSTS OF RECOVERING ANIMALS, PLANTS, TANKS OR OTHER AQUARIUM RELATED ITEMS AND/OR EQUIPMENT. Current USA, Inc. IS NOT RESPONSIBLE FOR SPECIAL, INCIDENTAL, OR CONSEQUENTIAL DAMAGES RESULTING FROM ANY BREACH OF WARRANTY, OR REPLACEMENT OF EQUIPMENT OR PROPERTY, OR ANY COSTS OF RECOVERING OR REPRODUCING ANY EQUIPMENT, ANIMALS OR PLANTS USED OR GROWN WITH Current USA, Inc. PRODUCTS.

Some jurisdictions do not allow the exclusion or limitation of incidental or consequential damages or exclusions of implied warranties, so the above limitations or exclusions may not apply to you. This warranty gives you specific legal rights, and you may also have other rights that vary from jurisdiction to jurisdiction.