

OUTER ORBIT HQI/T5HO™

24-Hour HQI Lighting System

Instructions for Models
Outer Orbit™ #1075-#1079

Important Safety Instructions	Page 2
Installation Instructions	Page 4
Troubleshooting	Page 8
Warranty	Page 9



CURRENT

WHAT'S NEXT

EMAIL: INFO@CURRENT-USA.COM

WWW.CURRENT-USA.COM

07-2006-JEE

SAFETY INSTRUCTIONS

WARNING

To guard against injury, basic safety precautions should be observed, including the following:

READ AND FOLLOW ALL SAFETY INSTRUCTIONS

DANGER

To avoid possible electric shock, special care should be taken since water is employed in the use of aquarium equipment. For each of the following situations, do not attempt repairs by yourself; return the appliance to an authorized service facility for service or discard the appliance:

1. If electrical components of the fixture get wet, unplug the appliance immediately.
2. Carefully examine the fixture after installation. It should not be plugged in if there is water on parts not intended to be wet.
3. Do not operate fixture if it has a damaged cord or plug, or if it is malfunctioning or damaged in any manner. See the drip loop instructions on the next page for proper power cord installation.
4. If the plug or receptacle does get wet, DON'T unplug the cord. Disconnect the fuse or circuit breaker that supplies power to the fixture. Then, unplug and examine for presence of water in the receptacle.
5. Close supervision is necessary when any appliance is used by or near children.
6. To avoid injury, do not contact hot parts such as lamps and the like.
7. Always unplug the fixture from an outlet when not in use, before putting on or taking off parts, and before cleaning. Never yank cord to pull plug from outlet. Grasp the plug and pull to disconnect.
8. Do not use the fixture for other than intended use. The use of attachments not recommended or sold by the fixture manufacturer may cause an unsafe condition.
9. Do not install or store the fixture where it will be exposed to the weather or to temperatures below freezing.
10. Make sure the fixture is securely installed before operating it.
11. Read and observe all the important notices on the fixture.
12. If an extension cord is necessary, a cord with a proper rating should be used. A cord rated for less Amperes or watts than the fixture rating may overheat. Care should be taken to arrange the cord so that it will not be tripped over or pulled.

SAVE THESE INSTRUCTIONS



CURRENT

WHAT'S NEXT

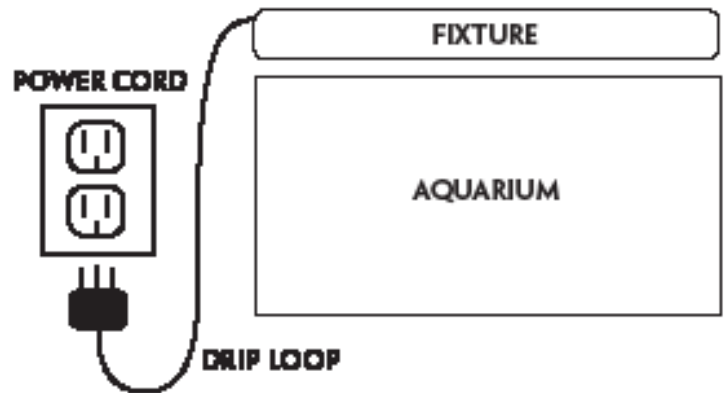
SAFETY INSTRUCTIONS

IMPORTANT SAFETY INSTRUCTIONS

WARNING

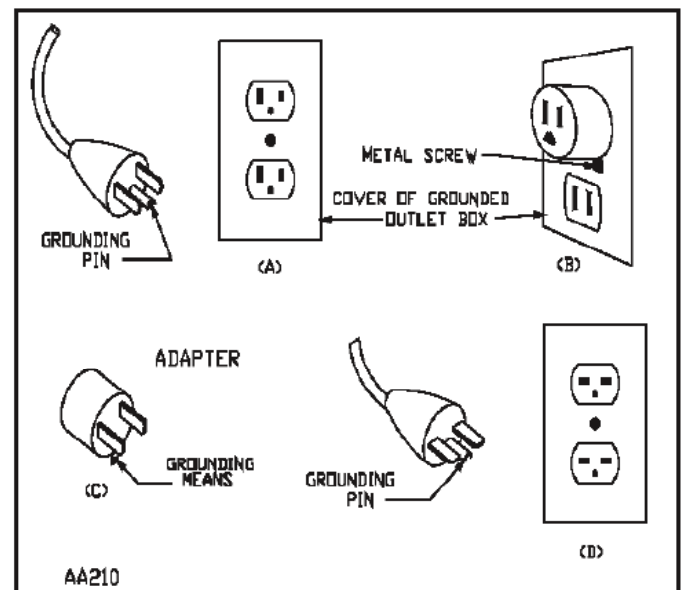
To guard against injury, basic safety precautions should be observed, including the following on drip loops:

To avoid the possibility of the appliance plug or receptacle getting wet, position aquarium stand and tank to one side of a wall-mounted receptacle to prevent water from dripping onto the receptacle or plug. A “drip loop,” shown in the figure below, should be arranged by the user for each cord connecting an aquarium appliance to a receptacle. The “drip loop” is that part of the cord below the level of the receptacle, or the connector if an extension cord is used, to prevent water traveling along the cord and coming in contact with the receptacle. If the plug or receptacle does get wet, DON'T unplug the cord. Disconnect the fuse or circuit breaker that supplies power to the appliance. Then, unplug and examine for presence of water in the receptacle.



GROUNDING INSTRUCTIONS

This appliance should be grounded to minimize the possibility of electric shock. This appliance is equipped with an electric cord having an equipment grounding conductor and a grounding type plug. The plug must be plugged into an outlet that is installed and grounded in accordance with all appropriate codes and ordinances. This appliance is for use on a nominal 120-volt circuit, and has a grounding plug that looks like the plug illustrated in (A) to the right. A temporary adapter which looks like the adapter illustrated in (B) and (C) below may be used to connect this plug to a two-pole receptacle as shown in (B) if a grounded outlet is not available. The temporary adapter should be used only until a grounded outlet can be installed by a qualified electrician. The green-colored rigid ear (lug, and the like) extending from the adapter must be fastened to a permanent ground such as a grounded outlet box.



SAVE THESE INSTRUCTIONS

INSTALLATION INSTRUCTIONS

CONGRATULATIONS ON PURCHASING YOUR NEW OUTER ORBIT 24-HOUR LIGHTING SYSTEM

Please carefully read all instructions and warnings below and enjoy your new lighting system.

In order to validate your warranty, please fill out the enclosed registration card or go online to our website <http://www.current-usa.com> to register your product electronically.

NOTE: READ ALL INSTRUCTIONS AND WARNINGS LISTED WITHIN THIS MANUAL. PLEASE ALSO READ ALL WARNINGS AFFIXED TO THE FIXTURE.

INSTRUCTIONS

- If you wish to use automatic light features, plug the power cords into timers before plugging into the GFCI outlet. If you wish to create a dawn/dusk and lunar effect, plug each power cord into separate timers. You may also plug the wall transformer into a timer, or plug directly into a GFCI outlet, which will turn the lunar lights on permanently.
- DO NOT place fixture underneath a canopy or hood. This light fixture is designed to be placed above an aquarium. It is not intended to be placed under a canopy. The light fixture is to be used over completely covered aquariums only.

MOUNTING INSTRUCTIONS

1. Carefully remove the lighting from packaging and inspect for damage. If any damage is found, please contact your retailer immediately.
2. Remove any packaging over fixture and any packing material surrounding T5HO lamps.
3. Make sure all lamps are firmly inserted into sockets. When handling HQI lamps, ensure that the lamps are handled with a soft cloth. Only touch lamps at the ends of the lamp.
4. If Docking Mounts will be used for mounting, insert docking mounts and slide them to the desired position. If the hanging kit will be used, please see instructions on page 6 for installation.
5. Place clear top onto aquarium and mount lighting fixture. Position the docking mounts so that they sit firmly onto the top sides of the aquarium.

INSTALLATION INSTRUCTIONS

HQI BALLAST CONNECTION

NOTE: TURN OFF ALL POWER AND ENSURE SWITCHES ARE IN THE OFF POSITION BEFORE CONNECTING THE METAL HALIDE HQI BALLAST(S)

CONNECTION INSTRUCTIONS

1. Unwrap all twist ties and un-wrap all connection cords.
2. Locate the metal halide HQI connection plug at the end of the cord(s) coming from the lighting fixture.
3. Ensure that the metal halide ballast is disconnected from power and that the ballast is in the OFF position.
4. Align the metal halide HQI connection plug with the corresponding plug on the ballast assembly.
5. Plug the connection plug into the ballast and ensure it is firmly seated.
6. Place the metal halide ballast in a cool, dry area with adequate ventilation. It is not recommended to stack ballasts on top of each other. Allow a minimum of 4" around ballast for ventilation.

STARTING INSTRUCTIONS

1. Ensure all ballasts are in OFF position and that HQI connection plugs are seated firmly into the HQI ballasts.
2. Plug all cords into the automatic timers. The configuration for timers is as follows:

Timer#1 - T5HO Lamps & Cooling Fan Cord (We recommend 11-12 hours per day)

Timer#2 - HQI Ballast(s) (We recommend 6-10 hours per day)

Timer#3 (included in 3 HQI lamp fixtures only) - remaining HQI Ballast

LED - Can be run 24 hours per day

NOTE: IT IS EXTREMELY IMPORTANT TO RUN THE COOLING FAN WHEN EITHER THE T5HO LAMP OR HQI LAMPS ARE IN OPERATION.

3. Plug timers into a grounded GFCI outlet. Turn all switches to ON position. Note: It may take 5-10 minutes before HQI lamps reaches full intensity.
4. Observe and ensure that all lamps and cooling fans are in operation.



CURRENT

WHAT'S NEXT

INSTALLATION INSTRUCTIONS

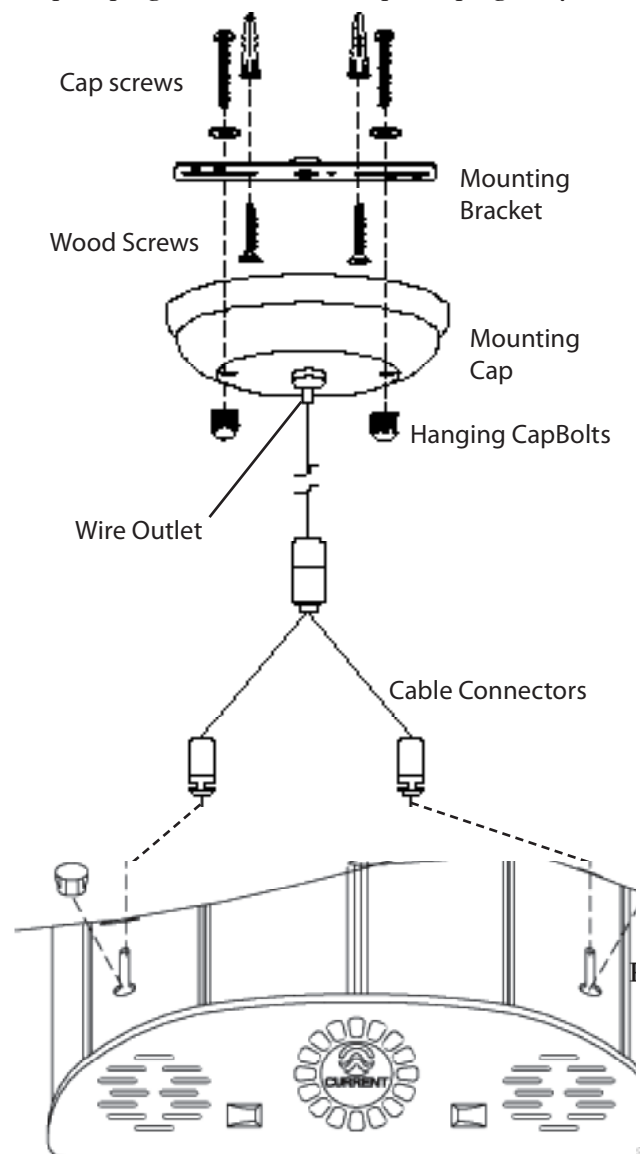
DANGER

To avoid possible electric shock, special care should be taken since water is employed in the use of aquarium equipment. For each of the following situations, do not attempt repairs by yourself. Return the appliance to your retailer or discard the appliance.

- If an electrical appliance falls into the water, or water drips onto the electronics, DON'T reach for it! First unplug it and then retrieve it. If electrical components of the appliance get wet, unplug the appliance immediately.
- Always unplug appliance from an outlet when not in use, before putting on or taking off parts, and before cleaning. Never yank cord to pull plug from outlet. Grasp the plug fully and pull out to disconnect.

HANGING INSTRUCTIONS:

1. Locate wood beam in ceiling. Using mounting bracket as a template, drill two pilot holes in the intended locations. NOTE: Due to the weight of the fixture, it is NOT recommended for drywall installations.
2. Slide hanging screws into bracket top down. Place mounting bracket on ceiling and screw into wood beam using wood screws.
3. Align hanging screws with mounting cap and slide screws through the cap. Thread hanging cap bolts on and tighten.
4. Adjust hanging wire to desired height by pressing the wire outlet in and sliding cable in and out. NOTE: Ensure that the fixture is unplugged from the AC outlet! Slide cable connectors into the keyhole slots located on the mounting brackets and hang fixture.
5. Adjust and level the height of the fixture using Step#4 above.



INSTALLATION INSTRUCTIONS

REPLACING T5HO LAMPS

1. Before servicing fixture, remove it from the aquarium and ensure that the light fixture is disconnected from AC power source and not plugged into an electrical outlet.
2. Place fixture on a flat surface, lamps facing upwards. Slide plastic lens covers from T5 lamps out.
3. Hold T5 lamps at ends and slide out from sockets. Dispose of properly in accordance to regional restrictions.
4. Slide new T5 lamps into sockets and replace plastic protective lens. Re-install fixture onto aquarium and re-plug in.

REPLACING THE HQI METAL HALIDE

1. Before replacing lamps, always disconnect fixture from AC power source.
2. Allow HQI lamp to cool before replacement. Remove the glass lens covering the HQI lamp by sliding the glass lens cover from the fixture.
3. When replacing the new lamps, only touch the ends of the lamps as to minimize oils from your fingers that will deposit on the lamps and reduce the life of the lamp.
4. Replace the glass lens and test the lamp before reinstalling the fixture.

24 HOUR PROGRAMMABLE TIMER INSTRUCTIONS

1. Set the current time - Turn the rotary disc till the "Arrow" points to the current time.
2. Set the "Turn On" time:
 - A. There are 96 push down plastic slices (black color) on the rotary disc. Each slice or tab stands for 15 minutes.
 - B. If the desired first Turn On time is for 2 hours (120 minutes), 8 tabs would have to be depressed between the desired time increments.
 - C. Depress tabs and set the On time.
3. Plug the timer into the power outlet.
4. Plug your appliance cord into the outlet on the timer.
5. Push down the slide switch at the side of the timer to the On position.

WARNING:

THIS TIMER IS RATED AT 120V, 15A MAX. DO NOT USE ANY APPLIANCE OVER 1000 WATTS. DO NOT ADD ANY EXTENSION POWER OUTLETS TO THIS TIMER. USE THIS TIMER TO CONTROL ONE DEVICE ONLY.

KEEP THE TIMER AWAY FROM HIGH HUMIDITY ENVIRONMENT.



CURRENT

WHAT'S NEXT

TROUBLESHOOTING

TROUBLESHOOTING

METAL HALIDE HQI LAMP WILL NOT FIRE:

1. Ballast is not turned on or power is not going to the ballast.
2. Lamp is not seated properly in the HQI socket. Disconnect power and remove fixture from aquarium. Remove the glass lens over the HQI lamp and with a soft cloth, remove lamp then re-seat properly into socket.
3. Oxidation is on the HQI socket pins. Allow all lamps to cool for 30 minutes. Remove glass lens over HQI lamp and with a soft cloth, remove the HQI lamp. Look for signs of oxidation on the HQI socket connection pins. If oxidation is found, remove it from the socket using a small piece of steel wool. Re-seat the lamp properly back into the socket and re-install glass lens and fixture.
4. Connection between the HQI lamp connector cord and ballast is not secure. Turn power off and reconnect connector cord to ballast assembly.
5. GFCI has tripped.
6. Timers are programmed incorrectly.

METAL HALIDE HQI LAMP HAS CHANGED COLOR:

1. All HQI lamps require a "burn-in" period of 72-100 hours of operation.

LED LUNAR LIGHT PANELS WILL NOT LIGHT UP:

1. LED transformer is not plugged in.
2. LED switches are not turned on.

SLIMPAQ T5HO LAMPS WILL NOT LIGHT UP:

1. T5HO lamp cord is not plugged in.
2. T5HO lamp switch is not turned on.
3. Timer for T5HO lamps is not programmed correctly.
4. GFCI has tripped.

ONE LAMP LOOKS LIKE A DIFFERENT COLOR THAN THE OTHER LAMP:

1. This fixture includes 460nm Blue SlimPaq T5HO lamps (super bright blue color) & 420nm Actinic blue SlimPaq T5HO lamps (softer purple color.) Both wavelengths are required for the optimum spectrum for coral and invertebrate growth.

COOLING FAN IS NOT WORKING:

1. Cooling fan cord is not plugged in.
2. Cooling fan timer is not programmed correctly.
3. GFCI has tripped.

NOTE: For further information on this fixture or replacement parts, please visit www.current-usa.com.

WARRANTY

CURRENT USA, INC. ONE-YEAR LIMITED WARRANTY

Current USA, Inc. warrants this product against defects in materials and workmanship for a period of ONE (1) YEAR from the date of original retail purchase. Light Bulbs carry a 3 month warranty.

Warranty on all Products, including Aquariums, is limited to replacement of the product and does not cover fish loss, personal injury, property loss or direct, incidental or consequential damage arising to the use of this product. Warranty on all Products, including Aquariums, is limited to replacement of the product and does not cover fish loss, personal injury, property loss or direct, incidental or consequential damage arising to the use of this product.

Note: Current-USA, Inc. One-Year Limited Warranty does not cover damage caused by the following: Improper installation, saltwater corrosion, and electrical surges.

If you discover a defect, Current USA, Inc. will, at its option, repair or replace the product at no charge to you, provided you return it during the warranty period. It is required that you present this warranty card and a copy of the bill of sale as proof of original purchase date, in the event the product needs repairs, within the warranty period. Please see your dealer for return options. This warranty applies only to products by or for Current USA, Inc. that can be identified by trade name, or logo affixed to them. Current-USA, Inc. does not warrant any products that are not Current-USA, Inc. products. This warranty does not apply if the product has been damaged by accident, abuse, misuse or misapplication or if the product has been modified without the written permission of Current-USA, Inc.; or if any Current-USA, Inc. logos have been removed or defaced.

THE WARRANTY AND REMEDIES SET FORTH ABOVE ARE EXCLUSIVE AND IN LIEU OF ALL OTHERS, WHETHER ORAL OR WRITTEN, EXPRESS OR IMPLIED. Current USA, Inc. SPECIFICALLY DISCLAIMS ANY AND ALL IMPLIED WARRANTIES, INCLUDING BUT NOT LIMITED TO LOST PROFITS, DOWNTIME, GOODWILL, DAMAGE TO OR REPLACEMENT OF EQUIPMENT AND PROPERTY, AND ANY COSTS OF RECOVERING ANIMALS, PLANTS, TANKS OR OTHER AQUARIUM RELATED ITEMS AND/OR EQUIPMENT. Current USA, Inc. IS NOT RESPONSIBLE FOR SPECIAL, INCIDENTAL, OR CONSEQUENTIAL DAMAGES RESULTING FROM ANY BREACH OF WARRANTY, OR REPLACEMENT OF EQUIPMENT OR PROPERTY, OR ANY COSTS OF RECOVERING OR REPRODUCING ANY EQUIPMENT, ANIMALS OR PLANTS USED OR GROWN WITH Current USA, Inc. PRODUCTS.

Some jurisdictions do not allow the exclusion or limitation of incidental or consequential damages or exclusions of implied warranties, so the above limitations or exclusions may not apply to you. This warranty gives you specific legal rights, and you may also have other rights that vary from jurisdiction to jurisdiction.